

**GUIDELINES FOR ORGANIZING  
FCI INTERNATIONAL  
RACING AND COURSING EVENTS**

**1.1.2024**

Ver 5.0 / 2024-03-15

**SECRETARIES**



## General

These guidelines are intended as “memory rules” for the coursing- and racing-secretaries. Alongside these guidelines, you should also always read the valid rulebook.

At international coursing and racing events there are two different classes, FCI CACIL-class and FCI OPEN-class. The dogs must have a CACIL-license or OPEN-license, issued by the national canine organization. The class must be marked on the license card. Dogs are only allowed to compete in the class of their valid license.

### FCI CACIL-class

- the dog must have CACIL-license, (license requirements: 2 x “very good” from dog shows (*from age of 12 months onwards at least 1 “very good” (in any class) on a national CAC dog show or an international FCI-CACIB dog show / at least 1 “very good” from intermediate, open, working or champion class on an international FCI-CACIB dog show. Judges must have different nationalities.*)
- with the CACIL-license the dog can only participate in the CACIL-class
- application for the CACIL: yes / no

### FCI OPEN-class

- the dog must have a OPEN-license (no dog show result requirements)
- with the OPEN-license the dog can only participate in the OPEN-class
- dogs from the FCI group V can only participate in OPEN-class
- no FCI-CACIL can be given to OPEN-licensed dog

### Approved results/categories / abbreviations for the license book

- placement / scoring result
- withdrawal by owner / handler (**WDR**)
- medical withdrawal / dismiss (**MWDR**) confirmed by a veterinarian (noted in the vet’s report)
- dismiss (**DISM**)
- disqualification (**DISQ**)

### Notification of disqualification / dismiss

- disqualification must be clearly noted in the license card mentioning the type of event
- following abbreviations must be used: **DISQ/R** (racing) or **DISQ/C** (coursing), check the procedure from §1.8.3
- dismiss must be clearly noted in the license card mentioning the type of event
- following abbreviations must be used: **DISM/R** (racing) or **DISM/C** (coursing), check the procedure from §1.8.3

## Racing regulations

### With entries you must have:

- license information CACIL-license or OPEN-license
- apply for the CACIL yes / no
- dog's fastest times from the last 2 racing events with the distances which the dog has run and track names  
e.g. time 1. 22.06s / 350m, track name and time 2. 21.94s/350m, track name
- if the dog has not participated in 2 racing events, the times of the license runs are included
- If there are no times available, the dog is placed on the second place of the middle preliminary run

### Dogs of the same breed compete together regardless of the type of license!!!

(except in the FCI Championships)

**See also information from the events invitation**, race distances per breed, possible gender separations, methods of separations, mode of progress etc.

### Minimum number of dogs

- minimum number of participating dogs per breed is **3**, otherwise it will be a solo or duo run
- minimum number of participating dogs per breed to award an achievement and a CACIL certificate is **3**
- separation by gender if there are at least 3 female and 3 male participating in breeds group

### FCI-Winner Achievements and FCI CACIL qualification

#### FCI-CACIL-Winners

- minimum number of participating dogs per breed is 3
- fastest dog of the breed with CACIL-license, time from the final run or in case the dog did not participate at the final, the fastest time of the preliminary run(s)

#### FCI-OPEN-Winners

- minimum number of participating dogs per breed is 3
- fastest dog of the breed with OPEN-license, time from the final run or in case the dog did not participate at the final, the fastest time of the preliminary run(s)

#### Exception to give FCI-Winner Achievements

In case the dog did not participate at the final, the fastest time of the preliminary run(s) are valid for the achievements when:

- using the Selective Final Race mode of progress (§2.2.4) and all six dogs in final have same type of license (CACIL or OPEN),  
e.g. if all six dogs in final have CACIL-license you can give the FCI-OPEN Winner achievement to the fastest OPEN-license dog from the preliminary runs.
- the final runs are cancelled due to external conditions (like heavy rain etc.)
- no other options available for the exception

FCI-CACIL certificate §2.4.2, §5.

- minimum number of participating dogs per breed and per breeds gender is 3  
The dog:
  - must have a CACIL license
  - must have applied for the CACIL (in entry information)
  - must have the fastest time of all dogs participating for CACIL of the breed resp. breed's gender
  - must be one of the first six ranked dogs. (§5.1.3 / 2)
  - must have a time within 10% of the best time of the breed resp. breed's gender of the event.

## Preliminary and final runs

Every dog runs:

- 1 or 2 Preliminary run (depend on mode of progress)
- 1 Final run

### Preliminary run

- minimum of 3 and maximum 4 dogs are running together, if there are exactly 5 dogs those dogs put in 2 preliminary runs of 3 and 2 dogs
- 5-6 dogs in 1 run are not allowed
- wide runners of the group are put in different preliminary runs
- dogs of the same owner and country are put in different preliminary runs
- see also the exeption §2.1.4
- The fastest times of the participating dog from his last 2 racing events is taken into consideration to place the dog in the preliminary run
- *If the organizers track length differs to the one of the last times of a dog, the times must be calculated.*  
*For example:*  
*Dogs last two times:*  
*22,31s / 350 m, 23,02 s/ 365 m*  
*calculated time for 350m:  $23,02:365\text{ m} = 0.063$ ,  $0.063 \times 350\text{ m} = \underline{22,05}$ , so the average time of the dog in the last 2 racing events is 23,535 s ( $23,02 + 22,05 = 45,07$ ,  $45,07 : 2 = 23,535$ )*
- the organizer compiles the preliminary runs of the groups with the ZIG-ZAG system as follows:

START 1	START2	START 3	...
Dog 1	Dog 2	Dog 3	
Dog 6	Dog 5	Dog 4	
Dog 7	Dog 8	...	

- in case of 2 preliminary runs, the times of the first preliminary run are used to build the second preliminary runs

**Final run**

- the organizer compiles the final run(s) with the ZIG-ZAG system with the fastest time of each dog from the preliminary run(s)
- can be organized with A, B, C, .... final runs
- the 6 fastest dog to the A-final, the 6 next fastest dogs to the B-final, etc.
- The dogs of the A-final are ranked 1-6<sup>th</sup>, the dogs of the B-final 7-12<sup>th</sup>, etc.

**Modes of progress (chosen per breed, must be mentioned in the invitation)****2-heats race §2.2.1**

For each dog:

- 1 preliminary run
- 1 final run (A-, B-, C-, etc. finals)

**3-heats race §2.2.2**

7 or more dogs:

- 2 preliminary run
- 1 final run (A-, B-, C-, etc. finals)

6 or less dogs:

- 1 preliminary run
- 1 final run, (A-final)

**Optional heat race §2.2.3**

For each dog:

- 1 preliminary run
- 1 final run (A-, B-, C-, etc. finals)

Optional second preliminary run

- owners can choose the optional second preliminary run

**Selective final race §2.2.4**

7 or more dogs:

- 2 preliminary run
- 1 final run, (only A-final)

6 or less dogs:

- 1 preliminary run
- 1 final run, (A-final)

**Methods of separation §2.3**

- Defines how the dogs of the breed compete against each other in groups.
- each group has an individual ranking
- separation per gender is possible if there are 3 or more females and 3 or more males in the relevant group
- the method of separation could be different between breeds, check the invitation

**1 breed, 1 group §2.3.1**

- all dogs of the breed compete against each other

**Weight groups §2.3.2**

The dogs are weighed in the event morning; result is valid only for this event.

1 – 5 groups

- 3 – 12 dogs: 1 or 2 groups  
group names: light, heavy (or medium in case of 1 group)
- 13 – 18 dogs: 2 – 3 groups  
group names: light, medium, heavy
- more than 18 dogs: 3 – 5 groups  
group names: feather light, light, medium, heavy, super heavy
- less than 3 dogs in group => merged with the closest adjacent group
- in case of extreme weight differences, a separate sub-group is possible (decision of the jury)

**Size groups §2.3.3**

The dogs are measured at the same time as the vet control, result is valid only for this event.

Flexible system for all breeds; measured at the wither or a bone of the dog

Fixed system, only for the Italian Sighthounds and Whippets; measured at the wither

**Flexible size system §2.3.3.1 (all breeds)**

1 – 5 groups

- 3 – 12 dogs: 1 or 2 groups  
group names: small, large (or medium in case of 1 group)
- 13 – 18 dogs: 2 – 3 groups  
group names: small, medium, large
- more than 18 dogs: 3 – 5 groups  
group names: tiny, small, medium, large, ultra
- less than 3 dogs in group => merged with the closest adjacent group
- in case of extreme size differences, a separate sub-group is possible (decision of the jury)

**Fixed size system §2.3.3.2 (only for Italian Sighthounds and Whippets)**

Whippets 3 groups:

- 49 cm or smaller  
group name: small
- over 49 cm to 52 cm  
group name: medium
- over 52 cm  
group name: large

Italian Sighthound 2 groups:

- 39 cm or smaller  
group name: small
- over 39 cm  
group name: large

**Speed groups §2.3.4**

1 – 5 groups

- 3 – 12 dogs: 1 or 2 groups  
group names: fast, faster (or swift in case of 1 group)
- 13 – 18 dogs: 2 – 3 groups  
group names: fast, faster, swift
- more than 18 dogs: 3 – 5 groups  
group names: fast, faster, swift, speedster, sonic
- if there are 2 preliminary run, use the times from first preliminary run to build the second preliminary runs
- if a dog runs a time outside its groups limit (without any special circumstances), move the dog to the matching group for the remaining run(s) (decision of the jury)
- less than 3 dogs in group => merged with the closest adjacent group
- in case of extreme time differences, a separate sub-group is possible (decision of the jury)

**CACIL Certificates and FCI-Winner achievements**

Per gender if there are gender separation

**CACIL certificate §2.4.2**

- must have CACIL license
- “CACIL and Res CACIL” certificate => to fastest and 2<sup>nd</sup> fastest dog of the breed who has applied it, and if the dogs fulfill the requirements (§2.4.2., §5.1.3 /2)

**FCI-Winner Achievements §2.4.1**

- “(venue) Racing FCI-CACIL Winner => to fastest dog of the breed (with CACIL class license)
- “(venue) Racing FCI-OPEN Winner => to fastest dog of the breed (with OPEN class license)

See also flowcharts

## Coursing regulations

### With entries you must have:

- license information CACIL-license or OPEN-license
- apply for the CACIL yes / no

### Minimum number of dogs

- minimum number of participating dogs per breed is **2**, otherwise it will be a solo run
- minimum number of participating dogs per breed, per class and/or gender to award an achievement and a CACIL certificate is **4**

### Achievements and CACIL qualification

The dog:

- must be one of the first six ranked dogs
- must be in the first half of its class or breed ranking
- must be awarded at least 75% of the maximum points
- in case of uneven number of started dogs the numbers are rounded up to determine the first half (e.g., if there are 9 starters the first 5 are placed in the first half)
- for the CACIL; must be one of the first six ranked dogs (§5.1.3/2)

### Class and gender separation – achievement awarding

#### Best in Field

- for an event day “(venue)” Coursing Best in Field” => to the dog of all breeds with the highest points of the day
- when looking at points, solo runners are also taken into account

#### Class separation

- **a)** 4 or more participating dogs in the CACIL class and in the OPEN class => CACIL class and OPEN class are running separately with separate ranking

4 or more males and 4 or more females => the genders are running separately with separate ranking

- **b)** more than 4 participating dogs in total AND 3 or less participating dogs in the CACIL class AND/OR 3 or less participating dogs in the OPEN class => mixed CACIL-OPEN class

4 or more males and 4 or more females => the genders are running separately with separate ranking

- **c)** 2 or 3 participating dogs in breed => CACIL class and OPEN class are running together with 1 ranking, no gender separation



**Class certificates and achievements (per gender if there is a gender separations)**

## §3.3.3.2 a)

**CACIL class**

- “CACIL and Res CACIL” certificate => to the dog who has the highest points and to the dog who has 2<sup>nd</sup> highest points and applied for the CACIL and fulfills the requirements (§3.3.2.)
  - “(venue)” Coursing FCI-CACIL Winner and Res FCI-CACIL Winner” => for the dog who wins the breeds CACIL class and for the dog who becomes on the 2<sup>nd</sup> place

**OPEN class**

- “(venue) Coursing FCI-OPEN Winner and Res FCI-OPEN Winner” => for the dog who wins the breeds OPEN class and for the dog who becomes on the 2<sup>nd</sup> place

**Breed achievements (dog with highest points of both classes):**

- if the dog fulfills the requirements (§3.3.2.)
- “(venue) Coursing Best of Breed Winner”
- “(venue) Coursing Best of Opposite Sex Winner” (if there is gender separation)

## §3.3.3.2 b)

**Mixed CACIL-OPEN class**

- “CACIL and Res CACIL” certificate => to the CACIL licensed dog with highest points and with 2<sup>nd</sup> highest points, who has applied it and fulfills the requirements (§3.3.2., §5.1.3/2)
- “(venue)” Coursing FCI-CACIL Winner and Res FCI-CACIL Winner” if at least 1 or 2 CACIL licensed dog(s) participate(s) => given per gender if there is a gender separation and if the dogs fulfill the requirements (§3.3.2.)
- “(venue)” Coursing FCI-OPEN Winner and Res FCI-OPEN Winner” if at least 1 or 2 CSS licensed dog(s) participate(s) => given per gender if there is gender separation and if the dogs fulfill the requirements (§3.3.2.)

## §3.3.3.2 c)

**2 or 3 participating dogs of the breed, CACIL and CSS class run together**

- No achievements or certificates are awarded, except “Best In Field” achievement

See also flowcharts

## FCI International Racing

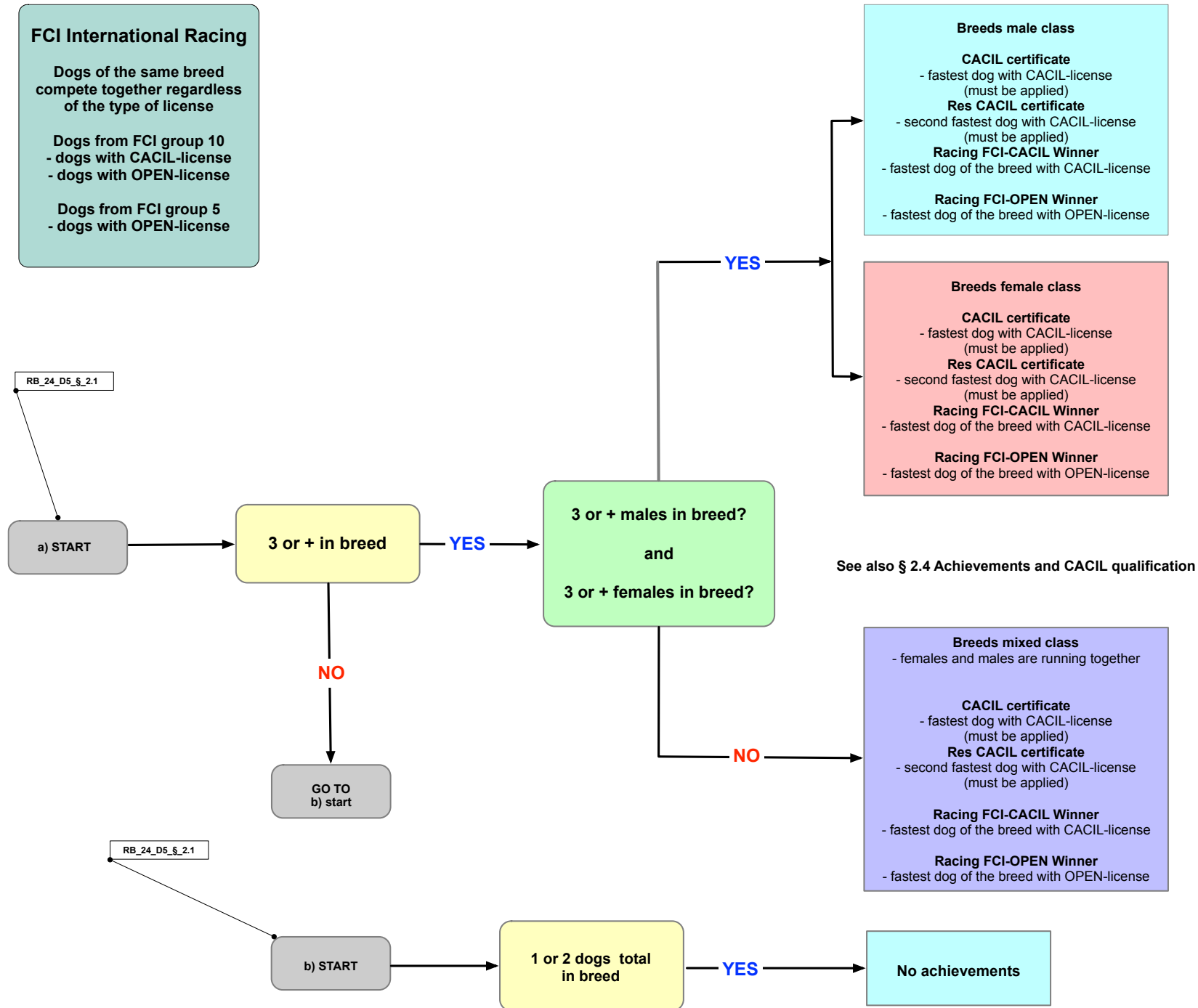
Table for choosing modes of progress and method of separation

Dogs of same breed compete together regardless of the type of license!

FCI International racing, Modes of progress Chosen per breed, must be mentioned in the invitation	2-heats race §2.2.1	3-heat race §2.2.2	Optional heat race §2.2.3	Selective final race §2.2.4
Afghan Hound				
Azawakh				
Borzoi				
Chart Polski				
Galgo Espanol				
Greyhound				
Irish Wolfhound				
Italian Sighthound				
Magiar Agar				
Saluki				
Skotish Deerhound				
Sloughi				
Whippet				
Cirneco dell'Etna				
Pharaoh Hound				
Podenco Canario				
Podenco Ibicenco				

FCI International racing, Methods of separation Chosen per breed, must be mentioned in the invitation	1 Breed 1 group §2.3.1	Weight groups §2.3.2	Flexible size system §2.3.3.1 (all breeds)	Fixed size system §2.3.3.2 (only for Italian Sighthounds and Whippets)	Speed groups §2.3.4
Afghan Hound				NO	
Azawakh				NO	
Borzoi				NO	
Chart Polski				NO	
Galgo Espanol				NO	
Greyhound				NO	
Irish Wolfhound				NO	
Italian Sighthound					
Magiar Agar				NO	
Saluki				NO	
Skotish Deerhound				NO	
Sloughi				NO	
Whippet					
Cirneco dell'Etna				NO	
Pharaoh Hound				NO	
Podenco Canario				NO	
Podenco Ibicenco				NO	

# FCI/CSS Rule Book Separation Racing



# FCI/CSS Rule Book Separation Racing

**FCI International Racing**

**Methods of separation**

- defines how the dogs of the breed compete against each other in groups

RB\_24\_D5\_§\_2.3

**1 Breed, 1 Group 2.3.1**

- all dogs of the breed run together
- separation of gender is possible

**Weight groups 2.3.2**

- separation of gender is possible
- 1-5 groups
- 3 - 12 dogs: 1-2 groups / light, heavy (or medium in case of 1 group)
- 13 - 18 dogs: 2 - 3 groups / light, medium, heavy
- more than 18 dogs: 3 - 5 groups / feather light, light, medium, heavy, super heavy
- less than 3 dogs in group => merged with the closest adjacent group

**Size groups 2.3.3**

**Flexible size system 2.3.3.1** *For all breeds*

- separation of gender is possible
- 1-5 groups
- 3 - 12 dogs: 1-2 groups / small, large (or medium in case of 1 group)
- 13 - 18 dogs: 2 - 3 groups / small, medium, large
- more than 18 dogs: 3 - 5 groups / tiny, small, medium, large, ultra
- less than 3 dogs in group => merged with the closest adjacent group

**Size groups 2.3.3**

**Fixed size system 2.3.3.2** *Only for Italian Sighthounds and Whippets*

- separation of gender is possible
- 3-groups for Whippets**
  - 49 cm or smaller / small
  - over 49 cm to 52 cm / medium
  - over 52 cm / large
- 2-groups for Italian Sighthounds**
  - 39 cm or smaller / small
  - over 39 cm / large

**Speed groups 2.3.4**

- separation of gender is possible
- 1-5 groups
- 3 - 12 dogs: 1-2 groups / fast, faster (or swift in case of 1 group)
- 13 - 18 dogs: 2 - 3 groups / fast, faster, swift
- more than 18 dogs: 3 - 5 groups / fast, faster, swift, speedster, sonic
- less than 3 dogs in group => merged with the closest adjacent group

**3 or + males in breed?**  
and  
**3 or + females in breed?**

**Breeds male class**

- CACIL certificate** - fastest dog with CACIL-license (must be applied)
- Res CACIL certificate** - second fastest dog with CACIL-license (must be applied)
- Racing FCI-CACIL Winner** - fastest dog of the breed with CACIL-license
- Racing FCI-OPEN Winner** - fastest dog of the breed with OPEN-license

**Breeds female class**

- CACIL certificate** - fastest dog with CACIL-license (must be applied)
- Res CACIL certificate** - second fastest dog with CACIL-license (must be applied)
- Racing FCI-CACIL Winner** - fastest dog of the breed with CACIL-license
- Racing FCI-OPEN Winner** - fastest dog of the breed with OPEN-license

See also § 2.4 Achievements and CACIL qualification

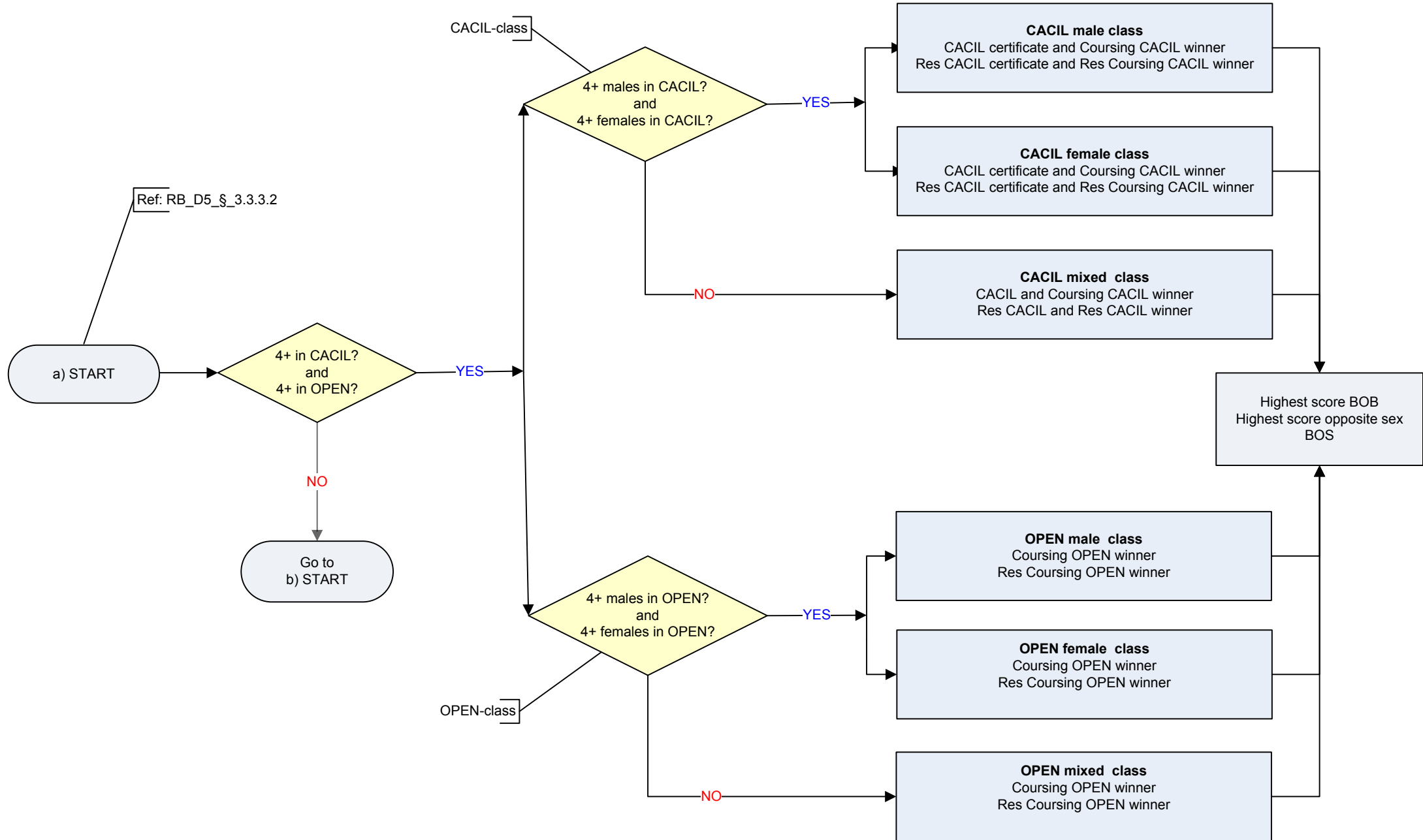
**Breeds mixed class**

- females and males are running together
- CACIL certificate** - fastest dog with CACIL-license (must be applied)
- Res CACIL certificate** - second fastest dog with CACIL-license (must be applied)
- Racing FCI-CACIL Winner** - fastest dog of the breed with CACIL-license
- Racing FCI-OPEN Winner** - fastest dog of the breed with OPEN-license

YES

NO

FCI/CSS Rule Book Class Separation Lure Coursing



FCI/CSS Rule Book Class Separation Lure Coursing

